

WALL MOUNTED SHOWER SYSTEMS

surfashower®

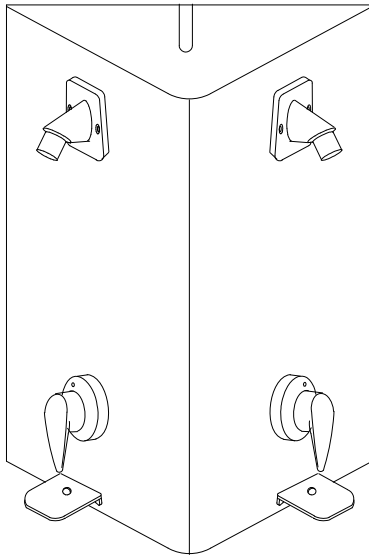


VALVE IS ASSE 1016 LISTED
VALVE IS CSA LISTED



MULTIPLE USER FOR STANDARD AND HANDICAPPED INSTALLATIONS

TWO PERSON (Pressure Actuated)



SS-PAM-200/3ISA-2P Two Person Surfashower®

- Factory pre-assembled with 18 gauge stainless steel cover #4 finish, with top and bottom caps
- ¾" top inlet connections
- Maximum operating pressure: 125 PSIG (860KPA)
- Vandal resistant screws

Both Stations with:

- PAM-II Pressure Actuated Shower Valve
- Adjustable limit stop set for 110°F (43°C)*
- Built-in shutoff for single handle operation
- Color-coded dial, lever handle
- Inlet stops, self draining soap dish
- H-06 institutional shower head, 2.5 GPM (9.5 l/min.) max

SS-PAM-204-2P Two Person Surfashower®

Same as above with:

- H-03 adjustable spray ball joint shower head 2.5 GPM (9.5 l/min)

SS-PAM-200/3ISA-2P-HC Two Person Surfashower®

- Factory pre-assembled with 18 gauge stainless steel cover 44" (1.11m) long, #4 finish, with top and bottom caps
- ¾" top inlet connections
- Vandal resistant screws

Both Stations with:

- PAM-II Pressure Actuated Shower Valve
- Adjustable limit stop set for 110°F (43°C)*
- Built-in shutoff for single handle operation
- Color-coded dial, lever handle
- Inlet stops, self draining soap dish
- H-06 institutional shower head, 2.5 GPM (9.5 l/min.) max

One ADA Compliant Station with:

- D-2L inline diverter valve with lever handle, 50IP(G) Hand Shower , 2.0 GPM (7.6 l/min) 69" (1.75m) hose, 24" (610mm) glide bar, double check valve assembly, supply elbow
- Specify left or right side

SS-PAM-204-2P-HC Two Person Surfashower®

Same as above with:

- H-03 adjustable spray ball joint shower head 2.5 GPM (9.5 l/min)

OPTIONS:

___SUFFIX VX: Specify VX length _____see reverse side to calculate.

SS-PAM-200/3ISA-2P (SHOWN)

MULTIPLE USER surfashower®



WARNING: This product can expose you to chemicals including lead, which is known to the State of California to cause cancer. For more information, go to www.P65Warnings.Ca.gov

Engineer's Approval	Job # _____
	Arch/Eng. _____
	Contractor _____



1360 Elmwood Avenue, Cranston, RI 02910 USA

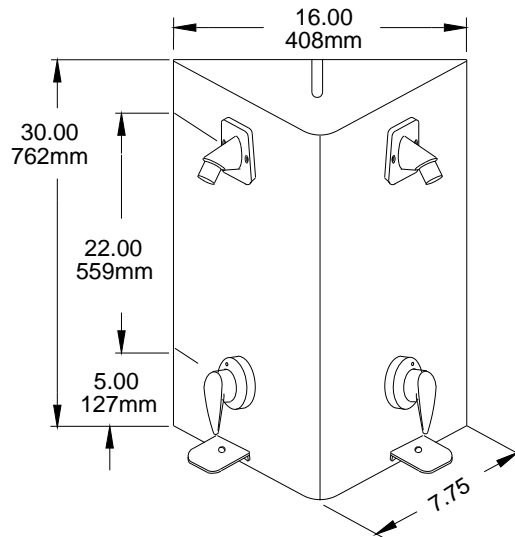
Phone: 401.461.1200 Fax: 401.941.5310

Email: info@leonardvalve.com

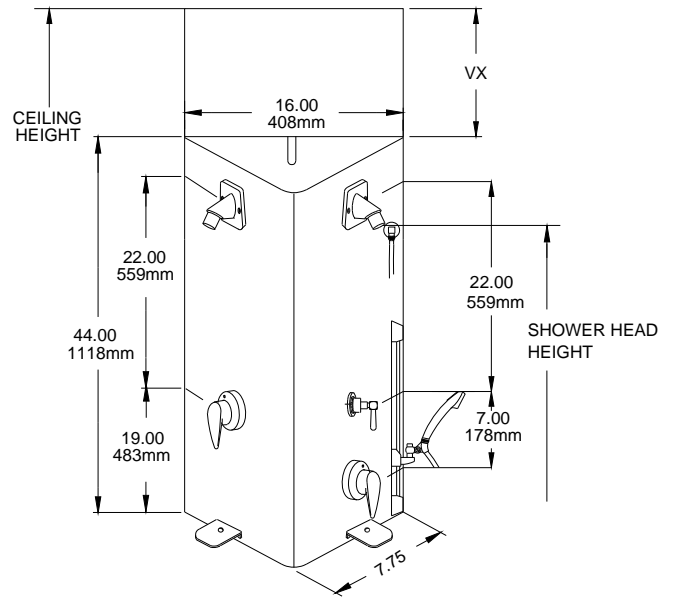
Web Site: <http://www.leonardvalve.com>

PRESSURE ACTUATED MODELS

SSPAM-200/3ISA-2P SSPAM-204-2P



SSPAM-200/3ISA-2P-HC SSPAM-204-2P-HC



SUFFIX VX
(For 3ISA & 204 units)
VX length:
To Calculate:
VX Length = Ceiling height minus
Shower head height minus
5" (127mm) 3ISA
8 1/4" (209mm) 204

NOTE: Leonard Valve Company reserves the right of product, or design notifications without notice or obligation



1360 Elmwood Avenue, Cranston, RI 02910 USA
Phone: 401.461.1200 Fax: 401.941.5310
Email: info@leonardvalve.com
Web Site: <http://www.leonardvalve.com>